

GT STAGE DECK

ASSEMBLY INSTRUCTIONS

Read this manual carefully and understand all of it's content before you assemble the GLOBAL TRUSS Stage Deck.

LIMITATION OF USE AND IMPORTANT NOTICE

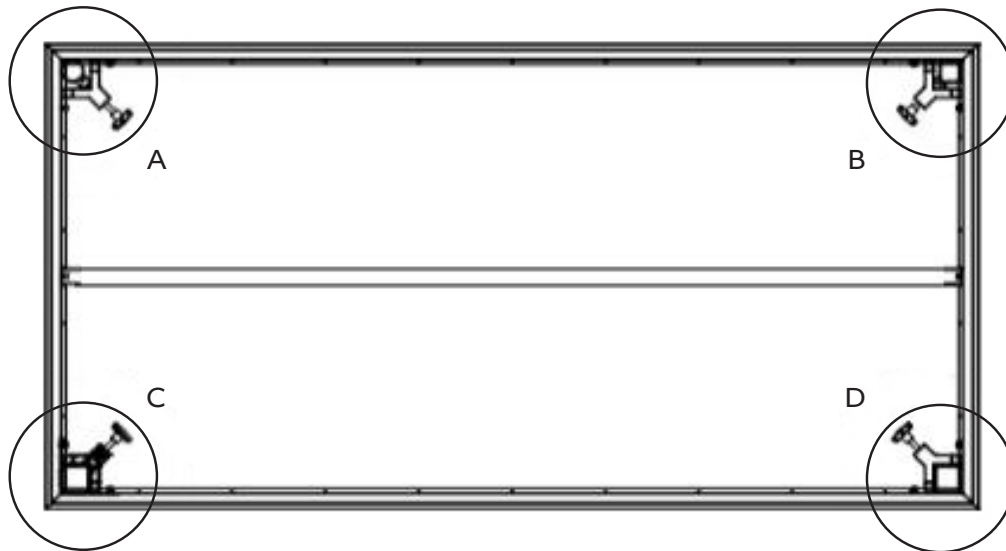
GT - STAGE DECK dimensions up to 244cm x 122cm on 4 legs can be used to carry loads up to 750kg/m². The maximum horizontal load is set at 10% of the maximum total vertical load. Make sure only GLOBAL TRUSS original components are used.

USE OF DIFFERENT LEG TYPES IN THE GLOBAL TRUSS GT - STAGE DECK*

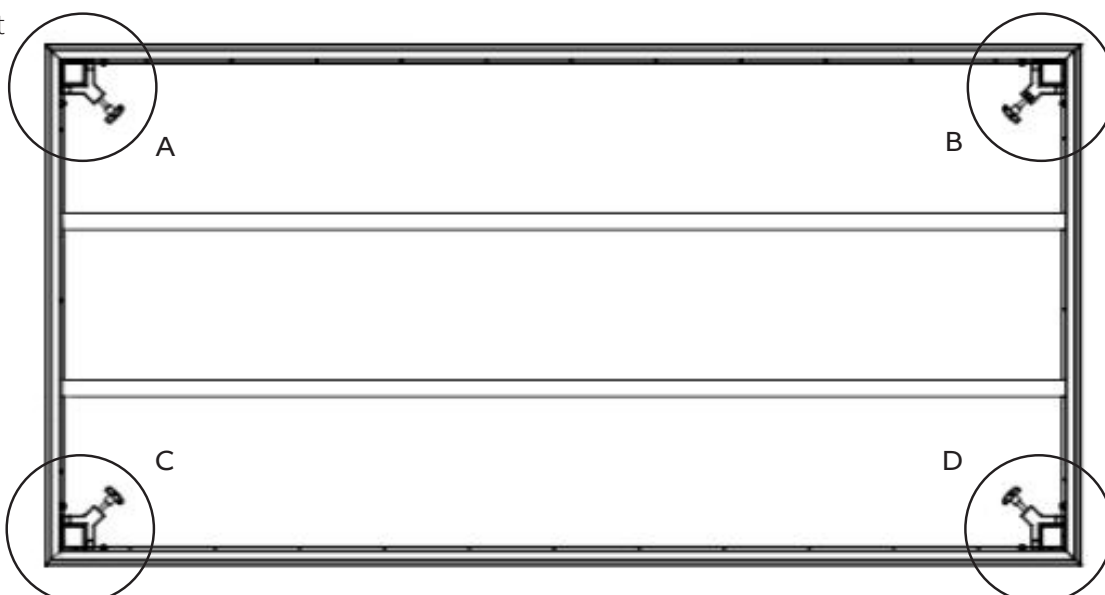
LEG	80 CM	100 CM	120 CM	140 CM	160 CM	180 CM
48,3x3 6082 T6	625 kg	500 kg	450 kg	400 kg	340 kg	n.a.
50x50x3 6082 T6	750 kg	750 kg	500 kg	500 kg	500 kg	350 kg
60x60x2 6082 T6	750 kg	750 kg	750 kg	500 kg	500 kg	500 kg
48,3x3,2 S235	750 kg	750 kg	500 kg	500 kg	500 kg	500 kg

* max. capacity/m² using different leg types and heights

2x1 m



8x4 feet





NOTES ON USING THE GT STAGE DECK

Please always follow the safety guidelines when setting up the GT - STAGE DECK.

Global Truss recommends the following equipment to protect people during construction:

- Safety shoes
- Working gloves
- Work helmet
- Use a ear protection when working with the hammer

Limit the area during construction and operation to avoid personal injury.

Please build up the platform as described in the instructions. Failure to comply with the specified parts can alter the stability of the platform and have serious consequences.

ASSEMBLY INSTRUCTION

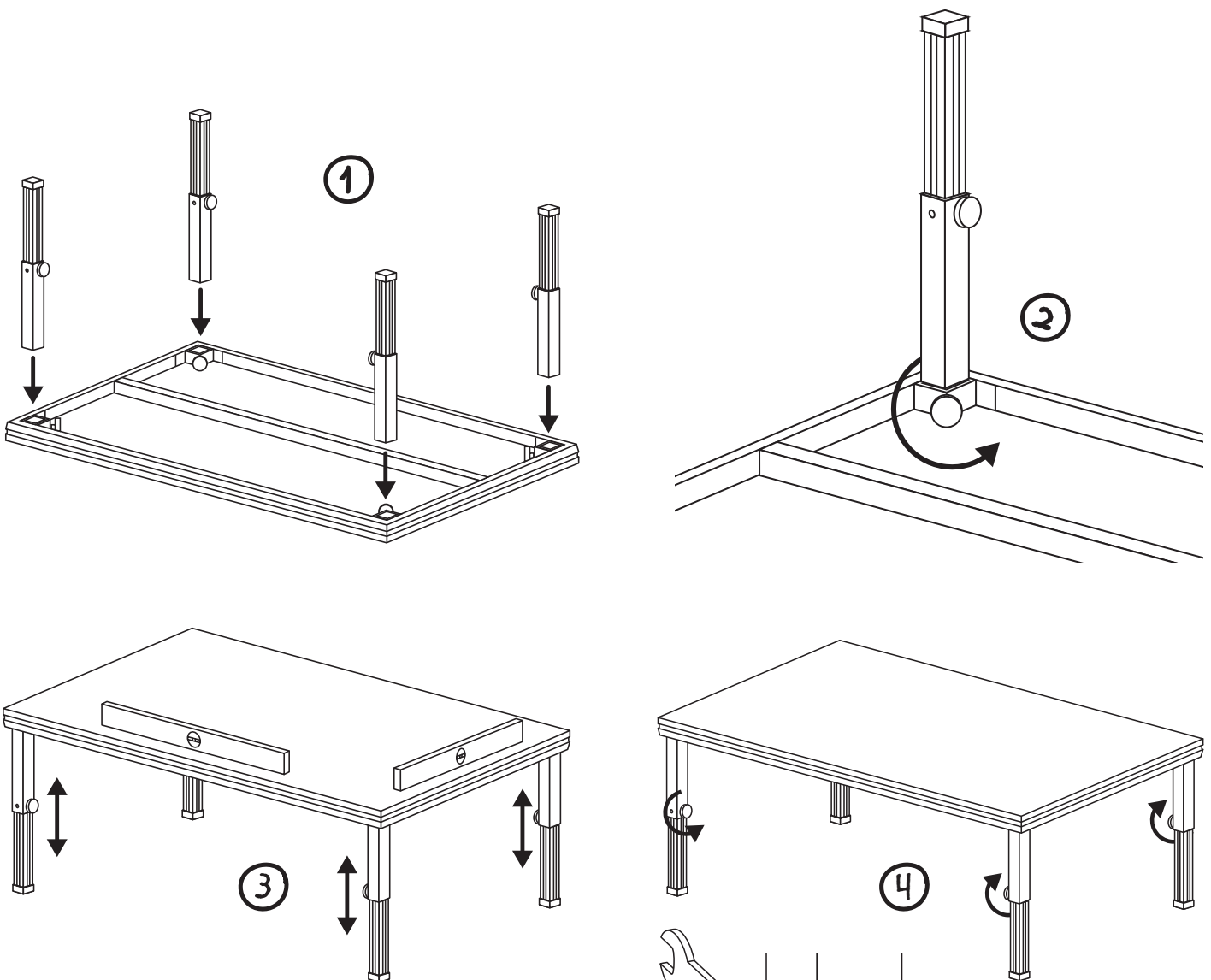
Tools needed:

- Allen key size 8
- Allen key size 10
- Leveler

NOTE: Please check all the connections, deck to deck, leg to leg and whole stability of the system before loading the stage.

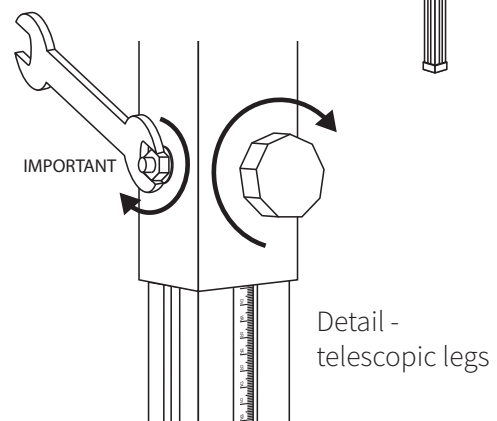
LEG ASSEMBLY

- Put the required leg type in the leg adapter at the underside of the deck frame.
- Tighten the leg by tightening the knob.
- Do this at all 4 corners.
- Tip the deck over and adjust the deck height.



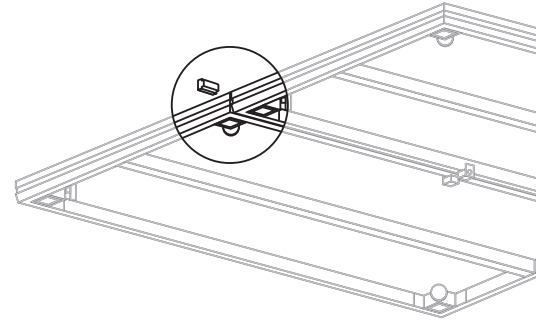
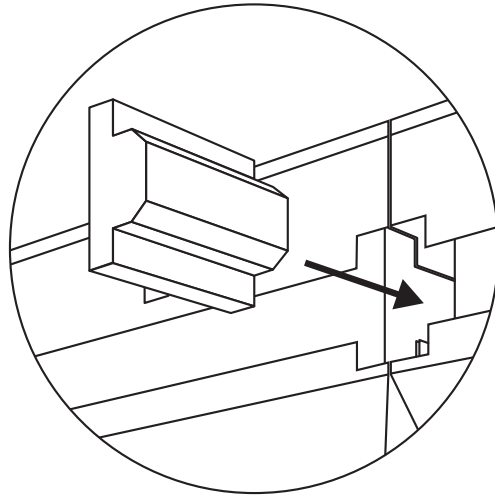
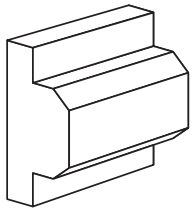
IMPORTANT (telescopic legs)

After levelling the stage height fasten the securing self-locking nuts as shown on the diagram (Detail - telescopic legs). It is forbidden to use the stage decks without securing the legs.!



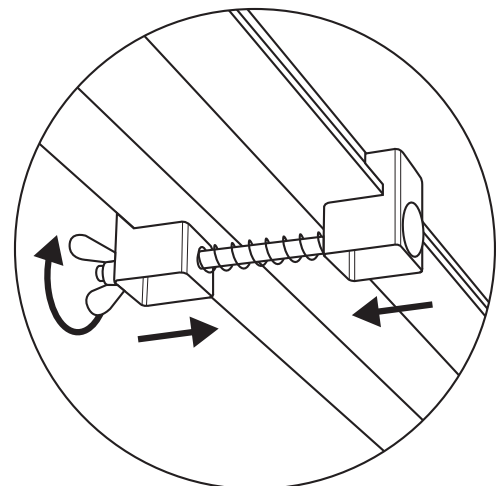
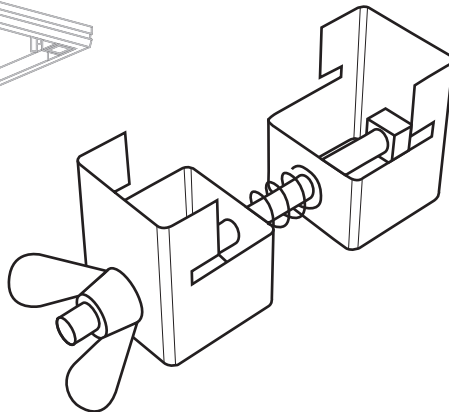
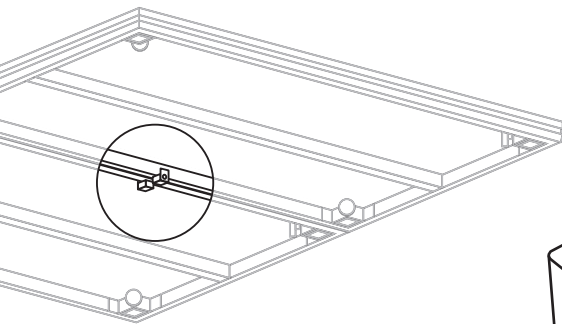
SELF LEVELING INSERT

Level the decks using the self leveling insert, use 3 pcs on 2/1m deck. 1pcs of deck leveler on one meter side and 2 pcs on to meter side.



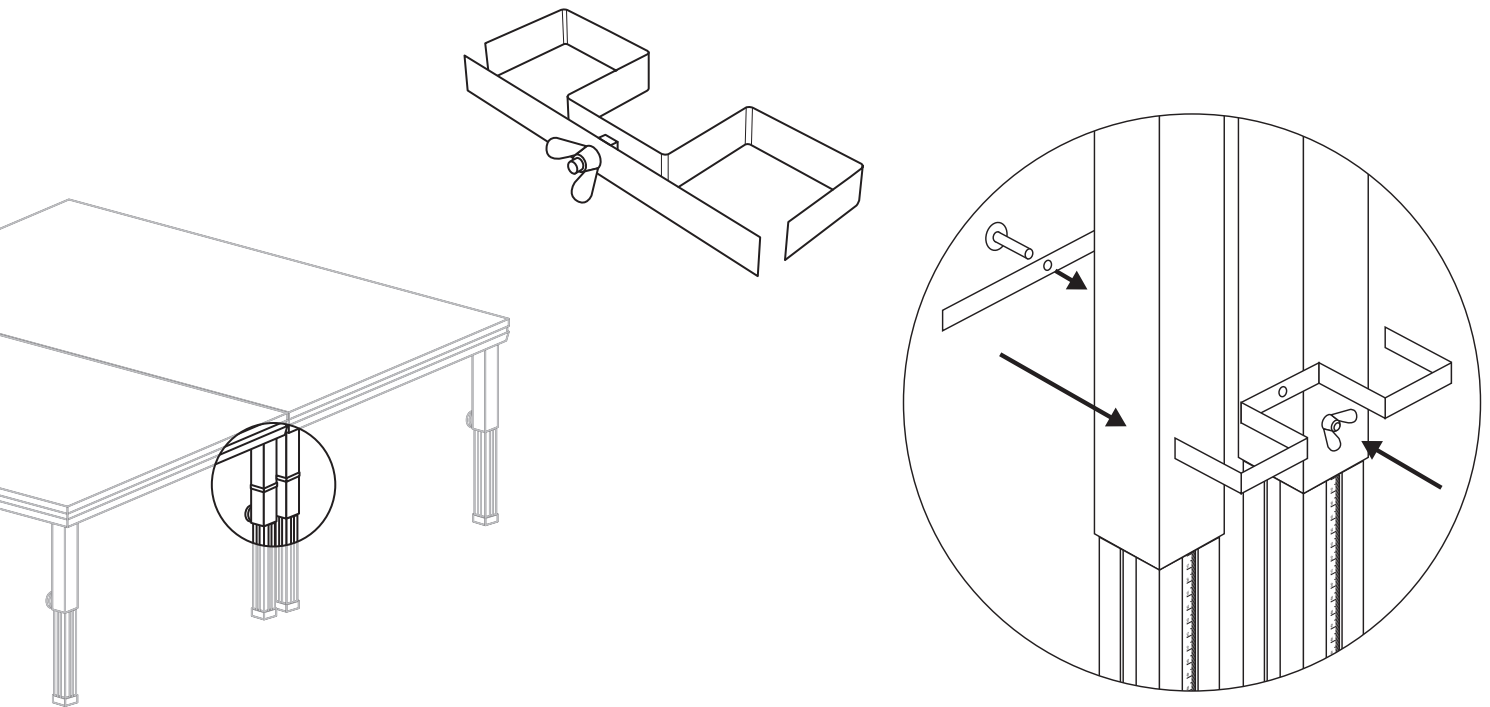
DECK TO DECK CLAMP

- Connect each deck element by using deck to deck clamp.
- Use 3 clamps per deck, one on the short edge, and 2 on the long edge.
- Repeat this as often as required to create the stage size required.



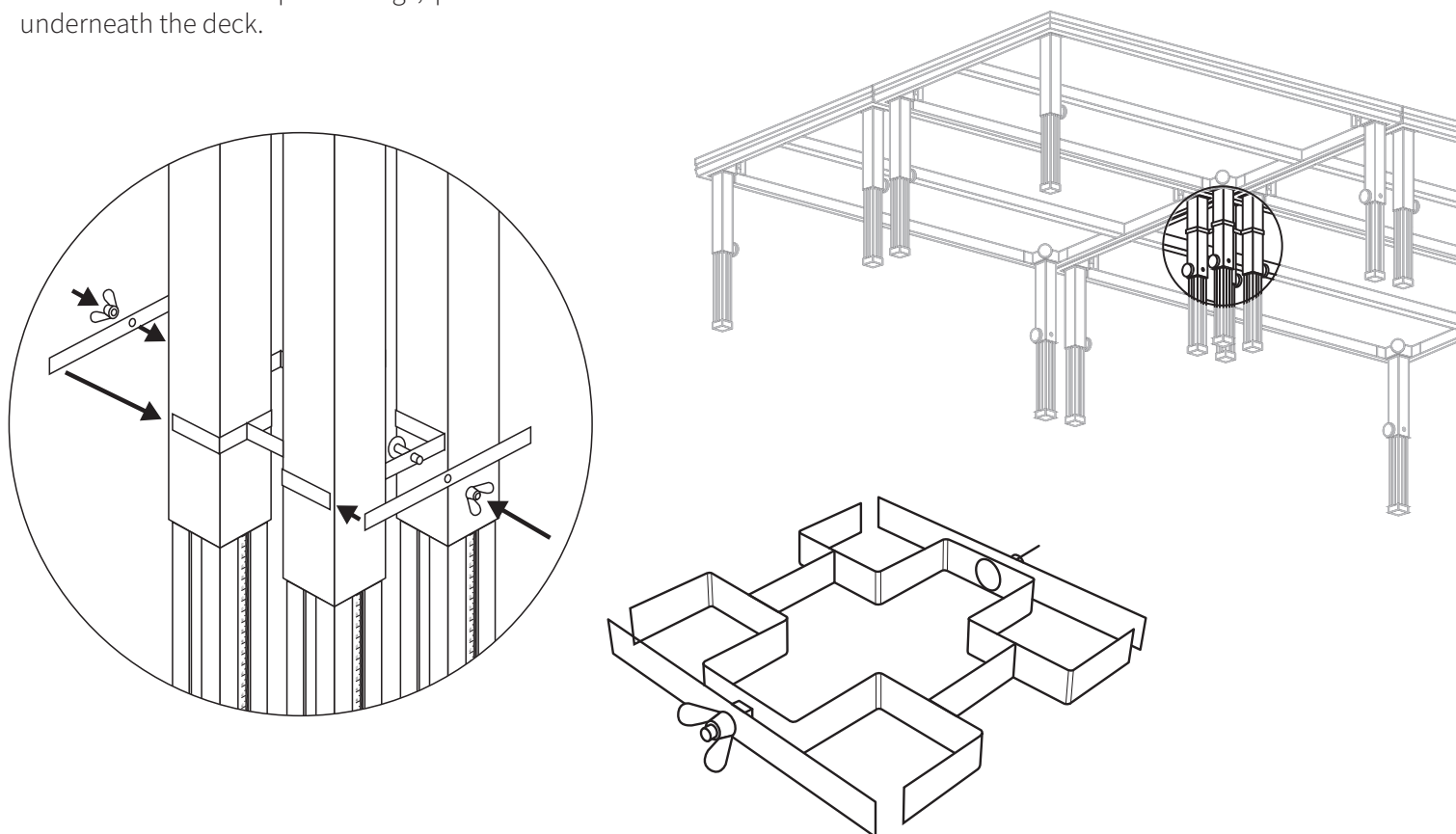
LEG TO LEG CLAMP

Use one single clamp for two legs, position them max 20cm underneath the deck.



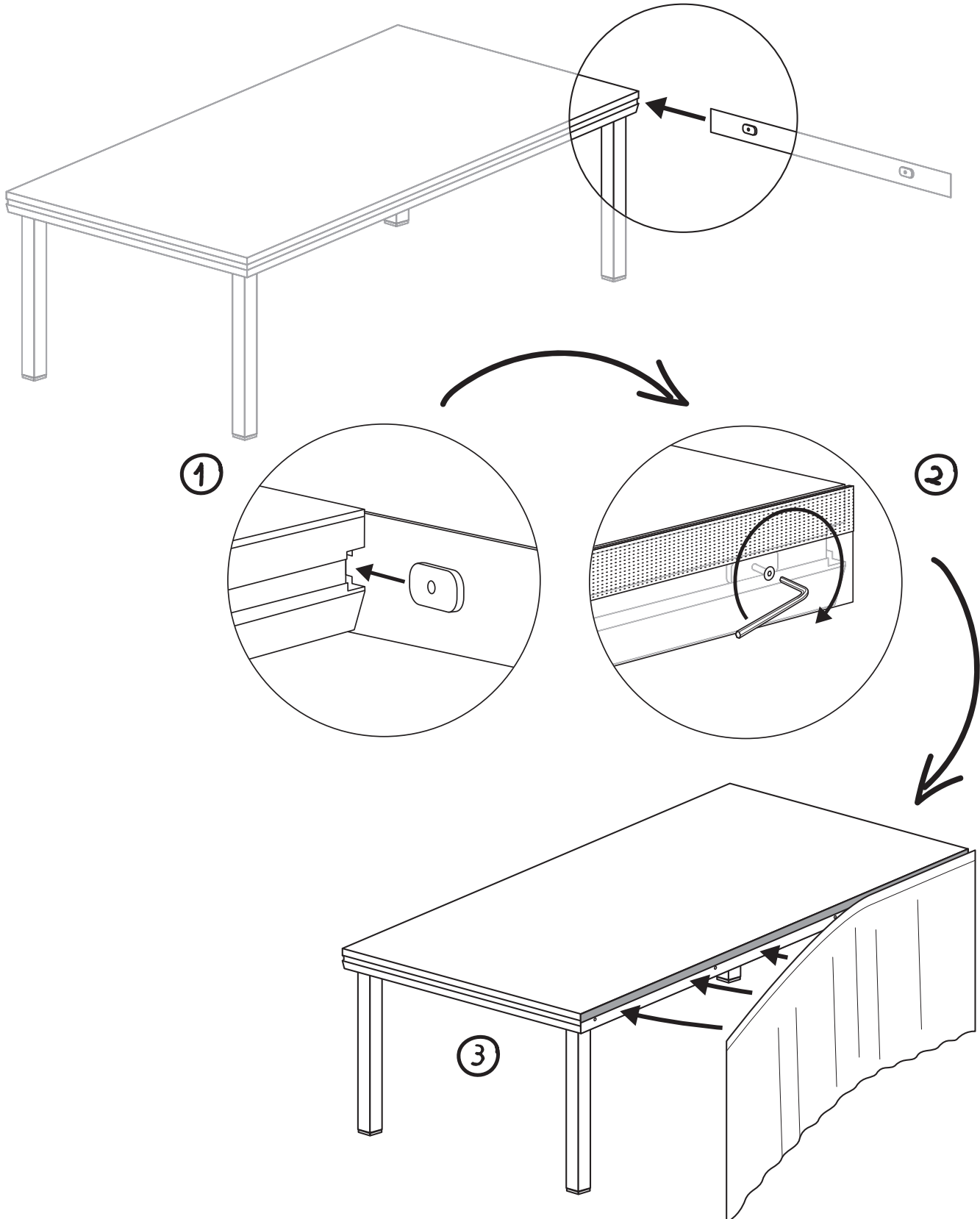
LEG TO LEG CLAMP

Use one double clamp for 4 legs, position them max 20cm underneath the deck.



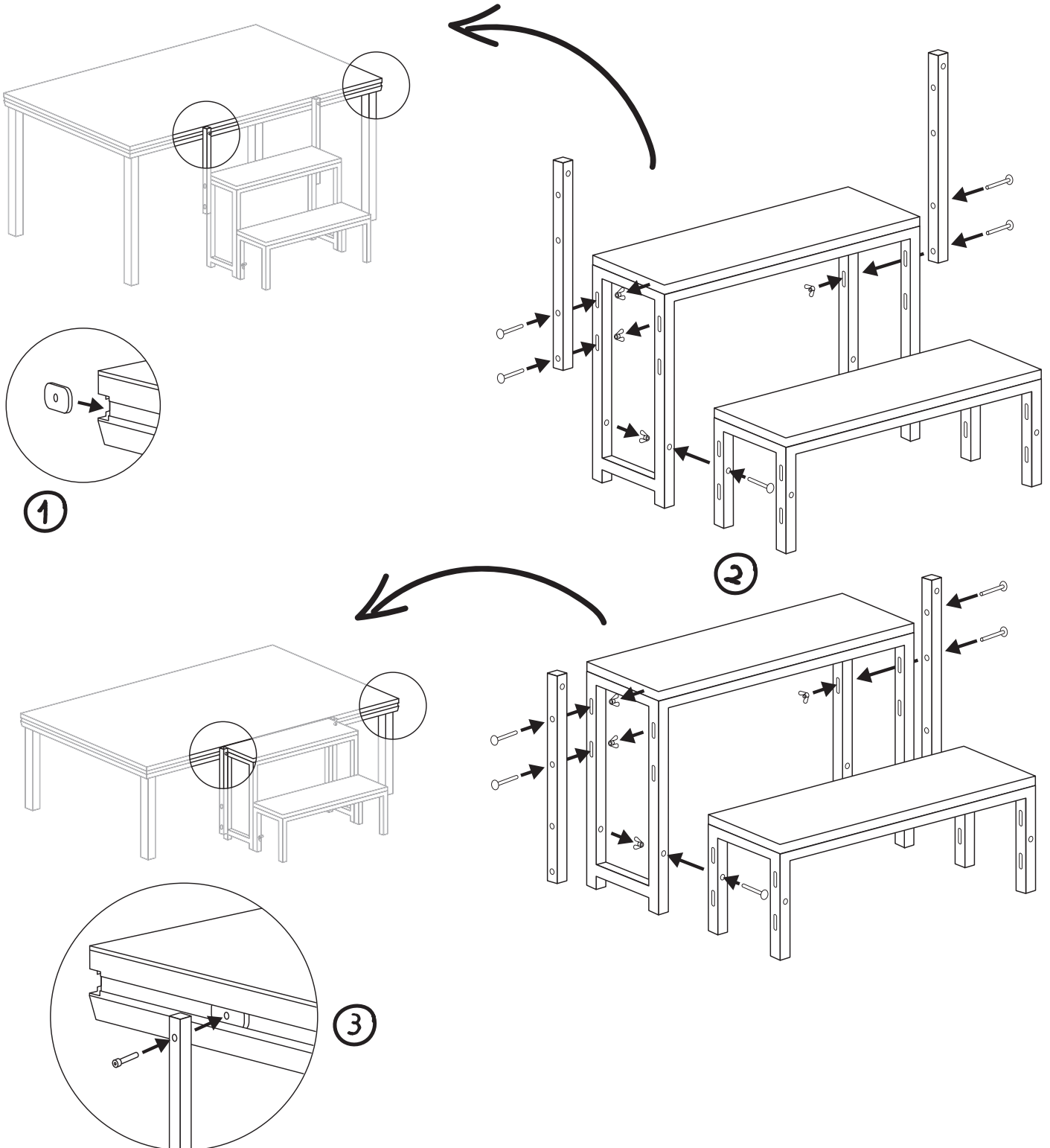
SKIRTING

1. Slide the aluminium skirt profile into the deck profile as shown on below diagram and fasten it with an alley key.
2. Attach the skirt to the skirt profile using the velcro straps.



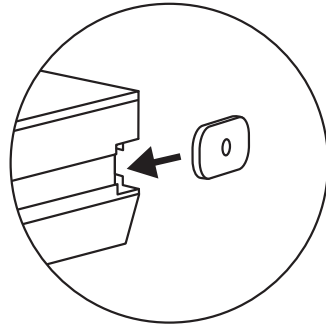
MODULAR STAIRS

Install the steps modular according to the below diagram, using the supplied screws and accessories.

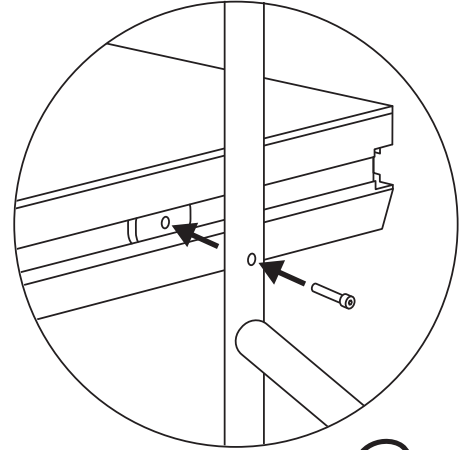


MODULAR STAIR HANDRAIL

Install the modular stair handrail to the modular steps and connect with the stage deck as shown on the below diagram.

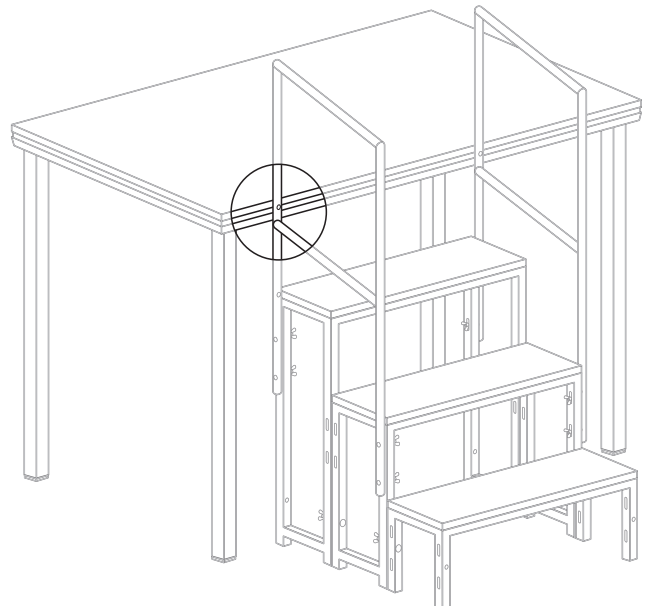
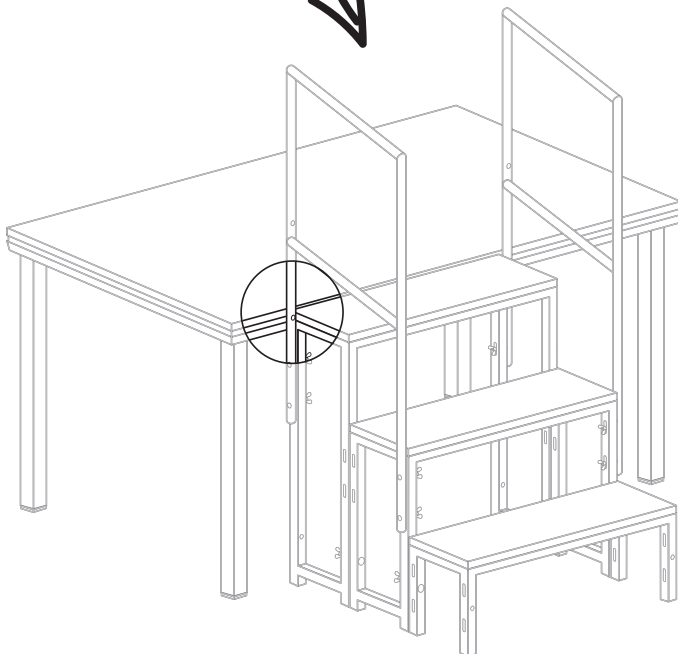
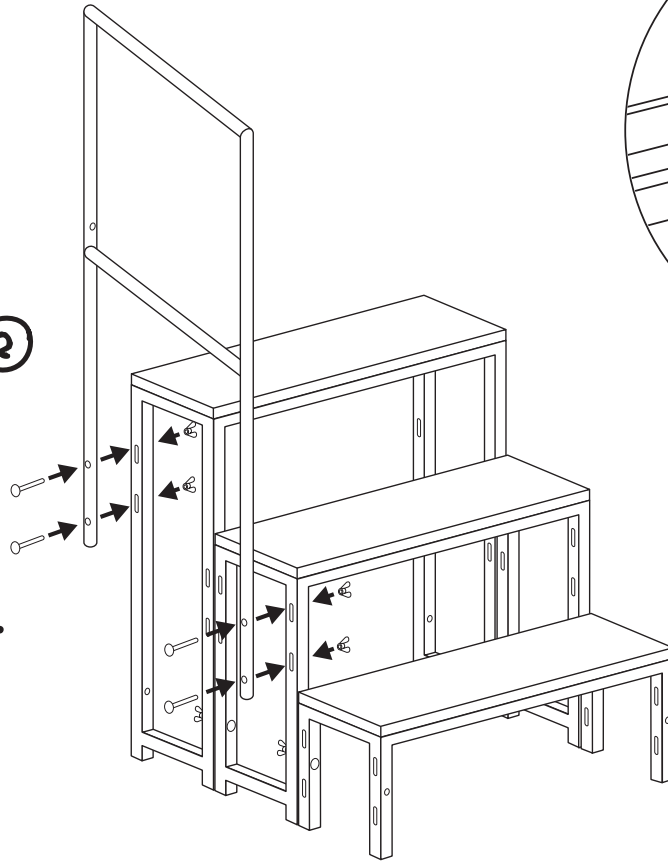


1



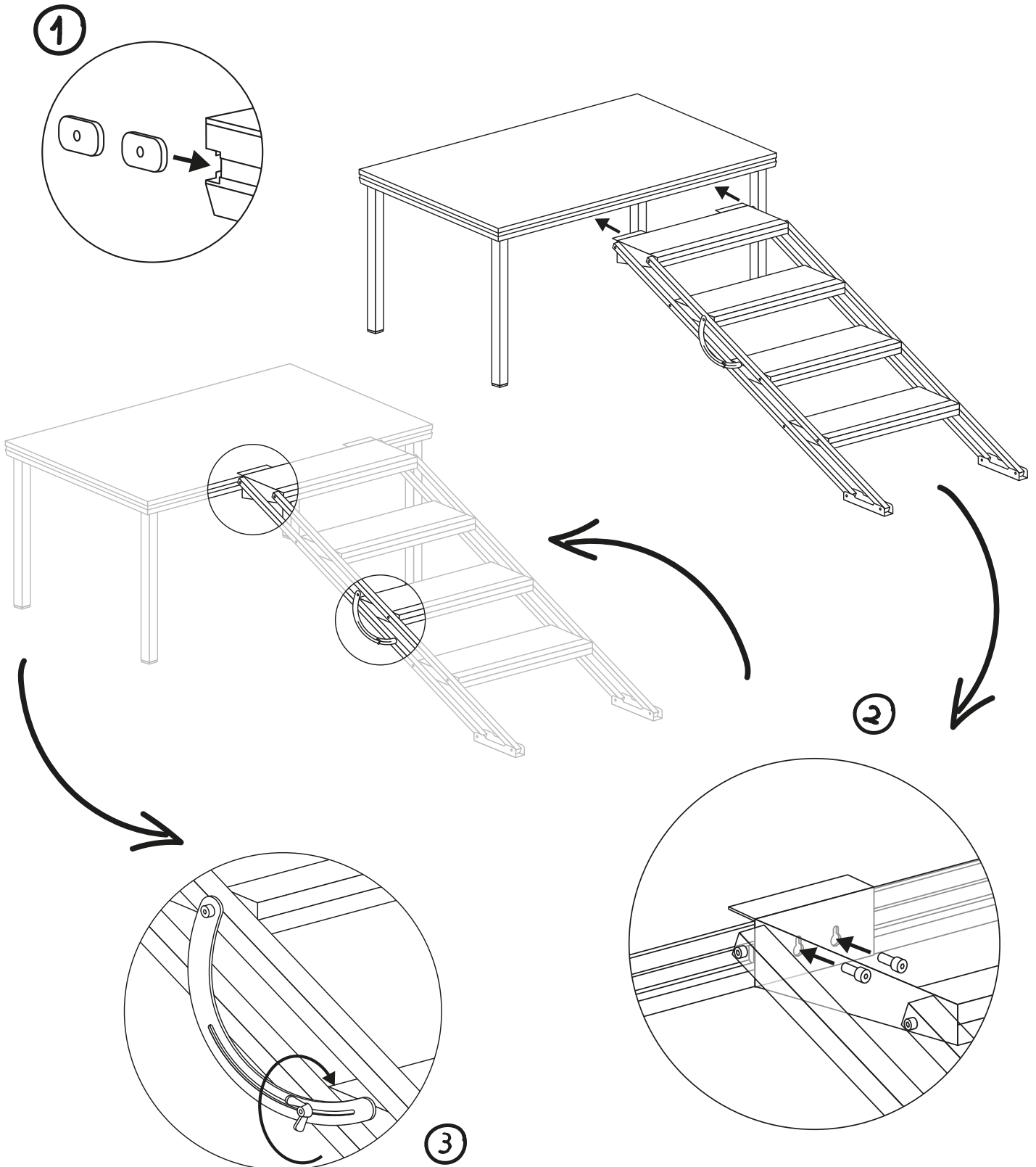
3

2



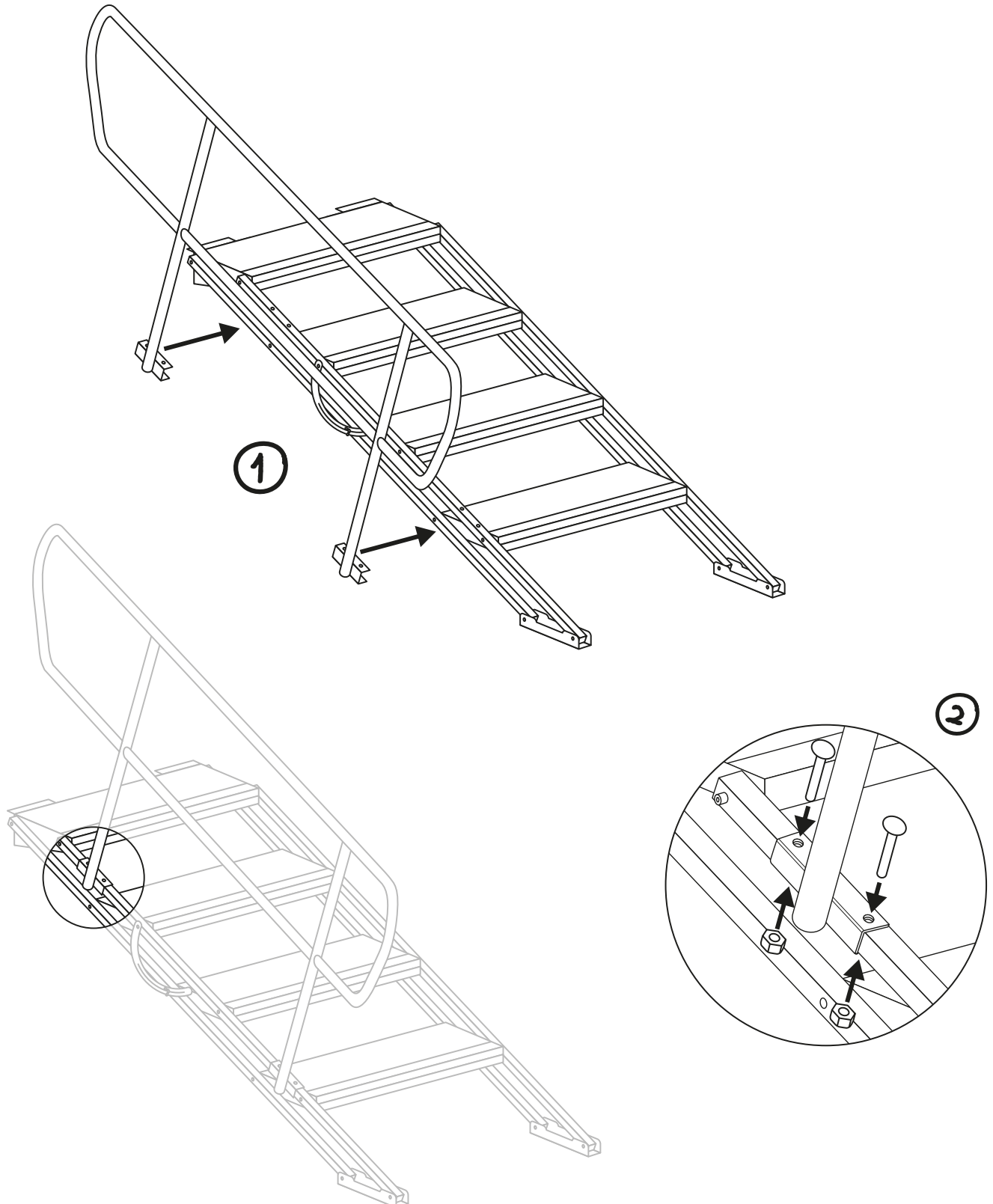
ADJUSTABLE STAIRS

1. Attach the adjustable stairs to the stage deck and fasten it with all 4 screws to the assembly inserts.
2. After leveling the stage steps fasten all screws on the side profiles of the adjustable stair.



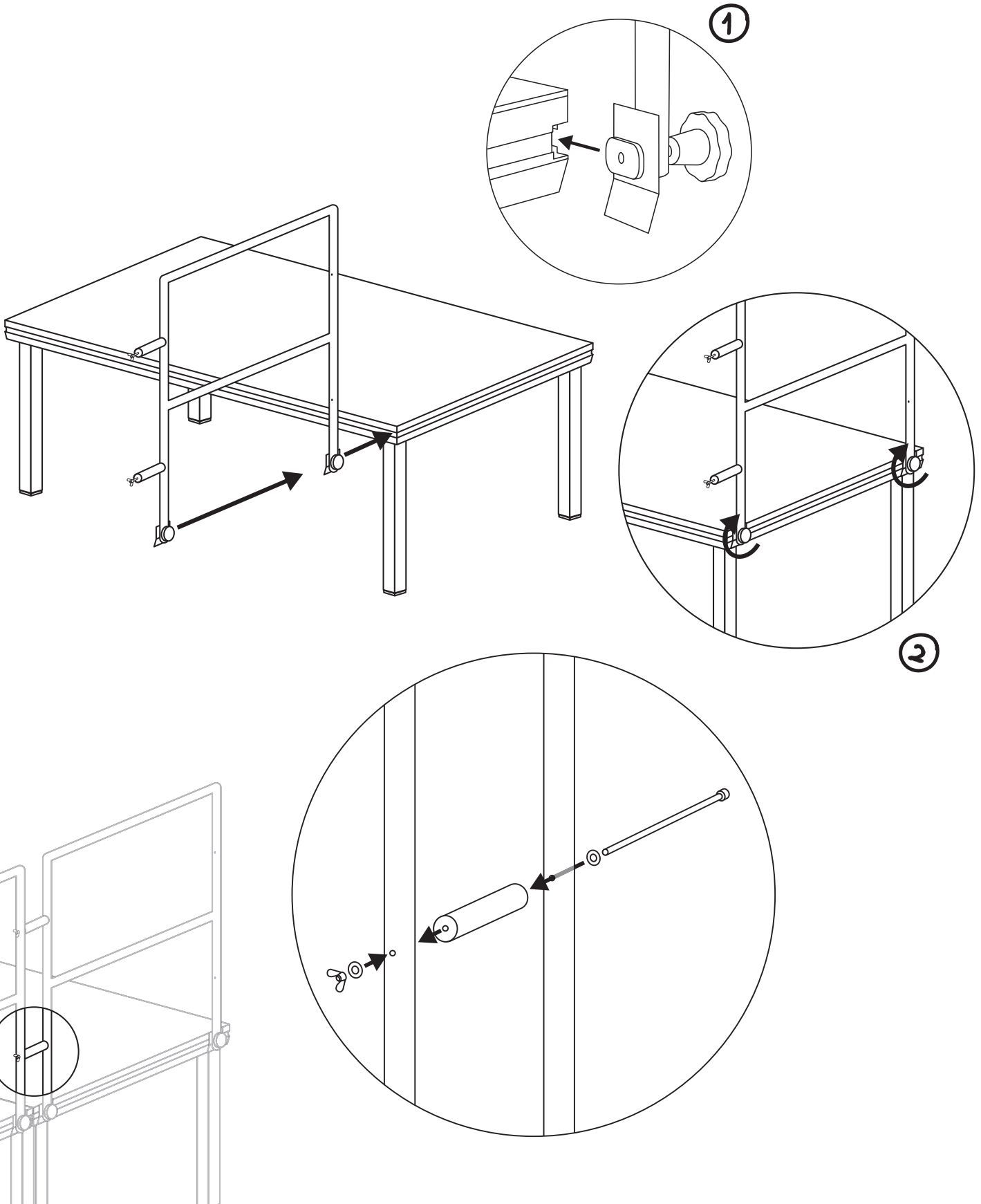
ADJUSTABLE STAIRS HANDRAIL

Install the adjustable stairs handrail to the stairs as shown on below diagram using the supplied screws and accessories.



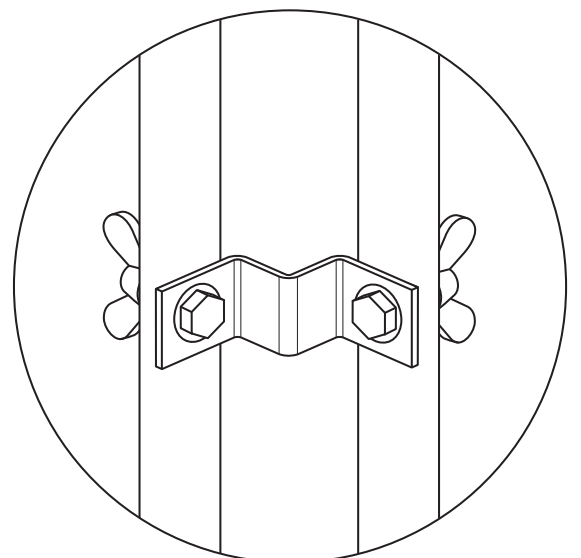
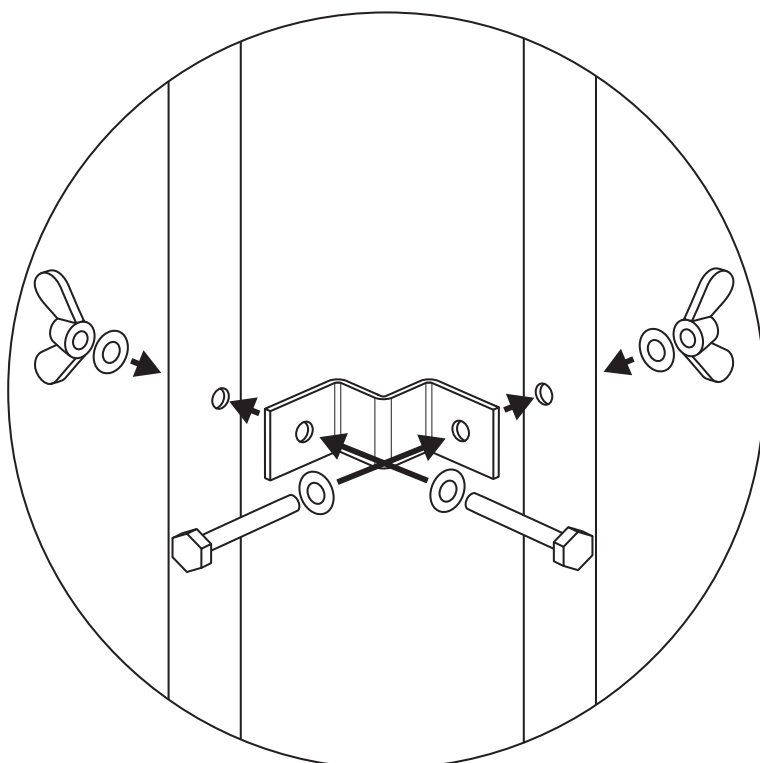
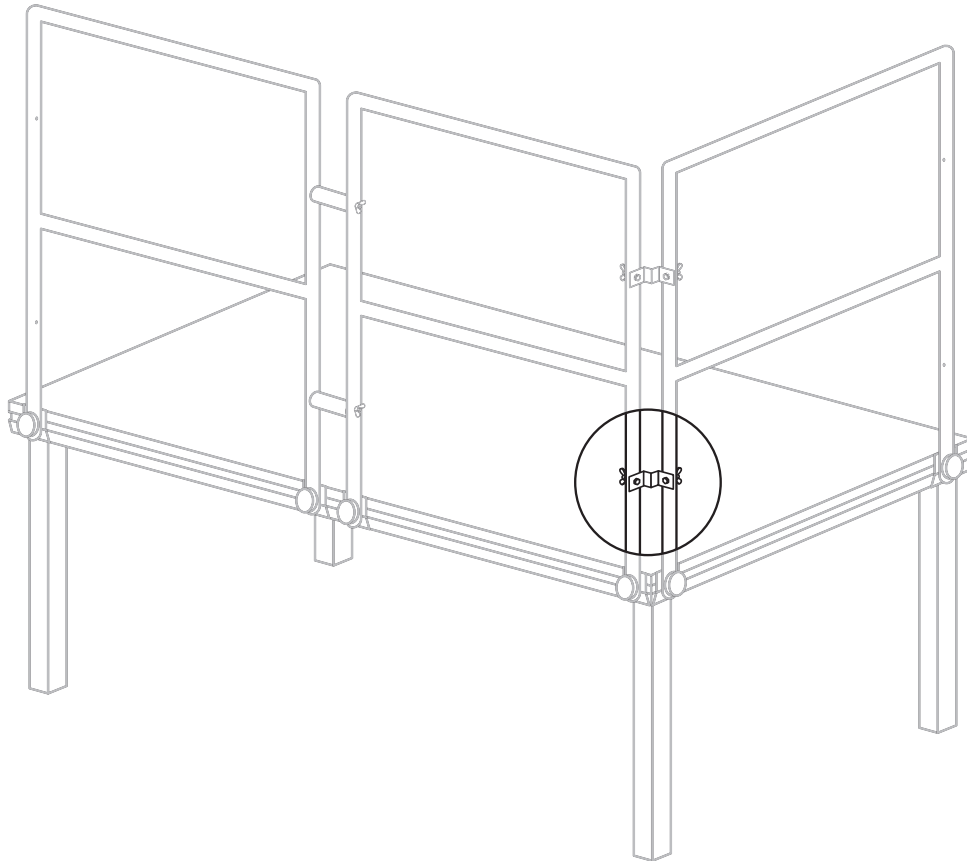
HANDRAILS

Install railings according to the above diagram, using the supplied screws and accessories and handrail correction (straight or corner).



HANDRAILS CORNER CONNECTION

Connect the handrails on the corner with a handrail corner connection as shown on the below diagram.



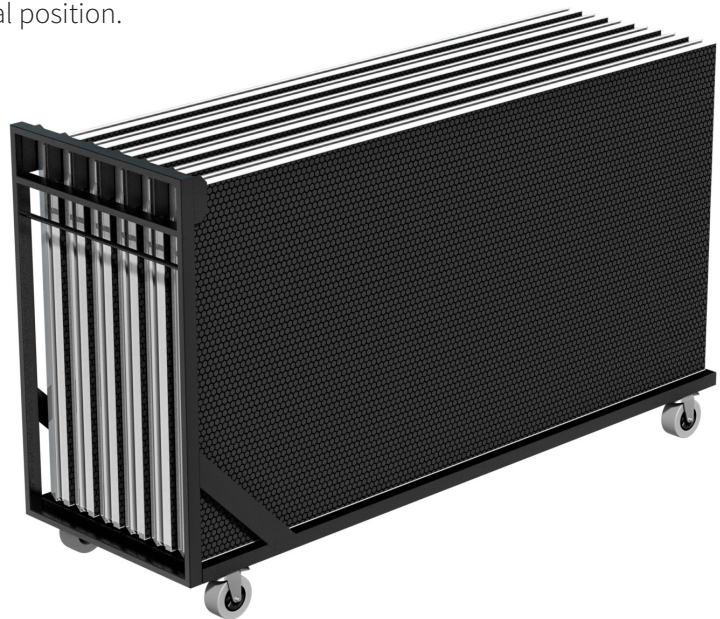
TRANSPORT AND STORAGE

Transport all components on pallets, dollies or flight case when moving from one location to another. Store all components in such way that they are free of dust and environmental influences.

1. Deck trolley - for transport and storage in horizontal position.



2. Deck trolley - for transport and storage in vertical position.



IMPORTANT

If you are not sure how to properly fit the different components: Get in contact with GLOBAL TRUSS.



GLOBAL TRUSS GMBH

STAGE CAMPUS
Im Stöckmädle 27
76307 Karlsbad
Germany

E-mail: info@globaltruss.de
Phone: +49 7248 94790 60
Web: www.GlobalTruss.de